

# THE REVOLUTION

*Designed for Efficiency, Engineered to Last.*



Dedicated to:



Preserving our NATURAL resources for future generations

CLEANEST & GREENEST ON THE MARKET

**BETTER WATER  
INDUSTRIES, INC.**

**"YOUR PROBLEM WATER SPECIALIST"**

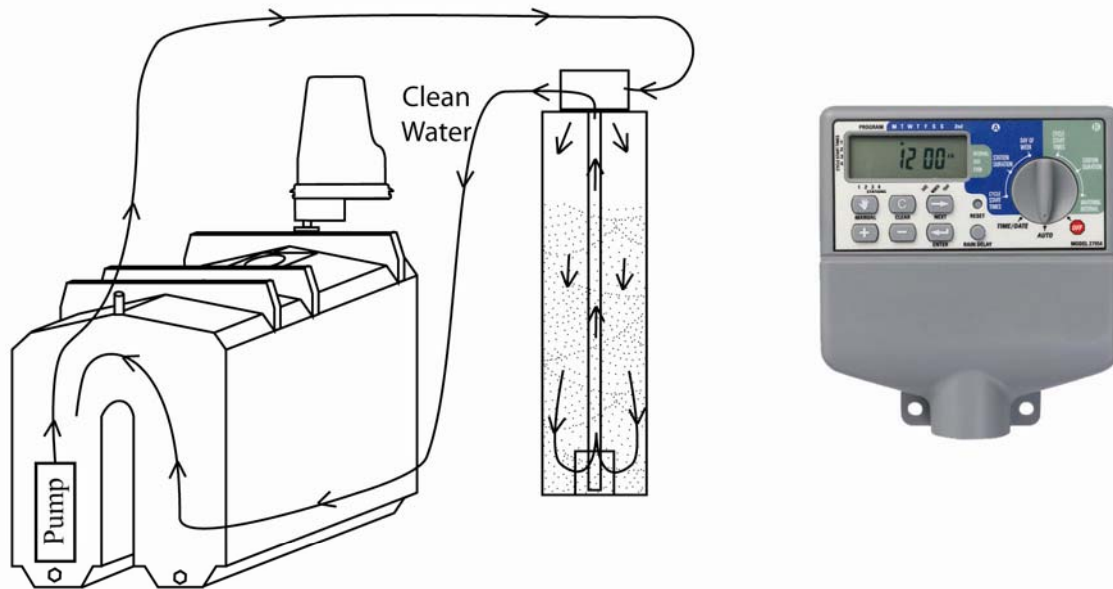


# THE REVOLUTION

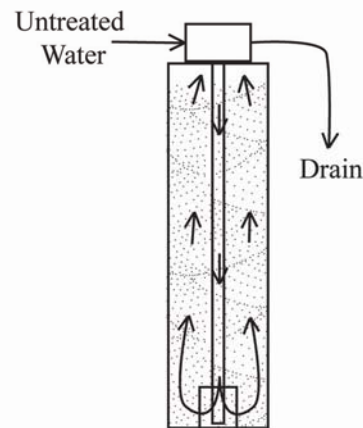


*Designed for Efficiency, Engineered to Last.*

The ReVolution System by Better Water Industries, Inc. is a miniature municipality for your home. This system will circulate water keeping the tank clean. Since everything in the OA is operating in clean water, your maintenance is virtually eliminated.



Every third (3) day (factory settings) the ReVolution system will begin a back wash process which will cleanse itself. This process is electronically started with a unique delay timer which includes battery backup. This process will utilize less water than traditional back wash filters and only uses untreated water to cleanse itself. This untreated water cleaning will present the homeowner with a reduction in chlorine usage up to 50%.



Now that we have filtered water within the Open-Air System we yet again send the water out for a final polish. The water will then enter our two stage no water-waste filters. This will provide the homeowner again more benefits with a reduction in water usage and provides low waste purified water to their home.